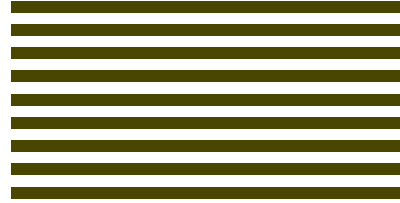




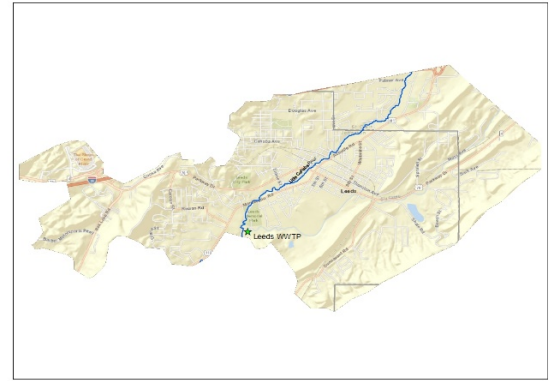
# JEFFERSON COUNTY ENVIRONMENTAL SERVICES

## LEEDS

### WATER RECLAMATION FACILITY



CONSTRUCTED: 1995 | PERMITTED AVERAGE CAPACITY: 2 MGD | PEAK FLOW CAPACITY: 10 MGD  
Grade III Plant



#### Facility Description

The Norman R. Skinner Facility is located in the city of Leeds off Montevallo/Cahaba Valley Road. The facility receives flow from Leeds and small parts St. Clair and Shelby counties serving approximately 8,000+ persons. Although the plant was constructed in 1995, there has been a plant in the same general location since the 1930's.

- Personnel: 5 (3 Grade IV and 2 Operator I's)
- Manned Daily 7 – 5 (call-in for high flow)
- Year round phosphorus limit of 1 mg/L
- 2 Peak Flow Basins with combined capacity of 5 MGD
- UV Disinfection
- Drying beds for land application
- 3 years without any permit violations

The Plant is designed as an oxidation ditch process with mechanical aeration and aerobic digestion along with final clarification. The plant also has tertiary treatment consisting of sand filtration and ultraviolet disinfection. Solids treatment consists of aerobic digestion and drying beds to be land applied.

The plant uses chemicals (Alum) to help with phosphorus and copper removal to ensure levels are under the permitted monthly average of 1.0 mg/L for phosphorus and 74.8  $\mu\text{g/L}$  monthly average for copper.

#### Capital Improvement Project #1

Replacing Return Pumps  
Cover for Digester Blowers  
Upgrading RTU's and Flow Meters  
Upgrading Trojan 3000 to 3000 Plus  
Adding Skimmer Pumps to Filtration  
Upgrading SCADA to CITECT

**Budget:** \$1,829,000

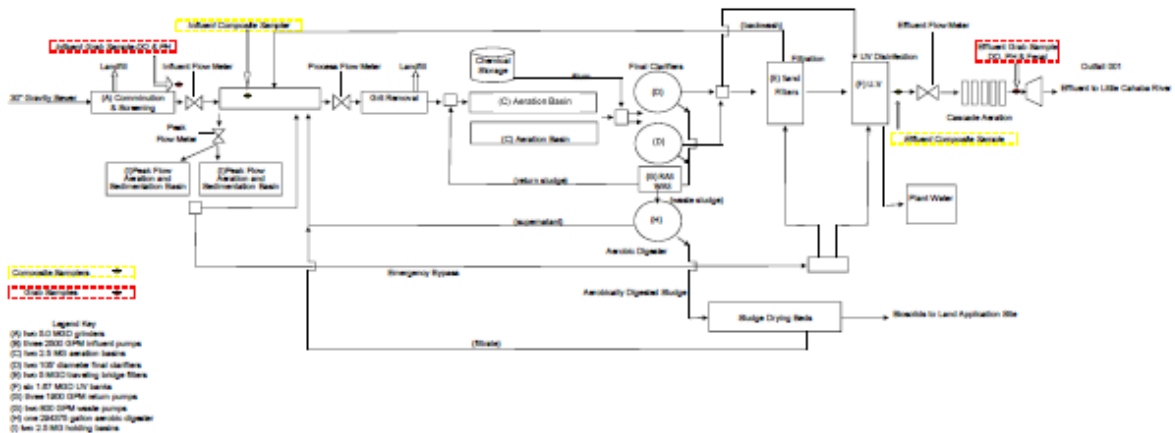
**Director:** David Denard | **Deputy Director:** Margaret Tanner | **Plant Superintendent:** Ryan Tyler





## Process Flow Diagram

### JEFFERSON COUNTY ENVIRONMENTAL SERVICES DEPARTMENT LEEDS WWTP AL0067067





**Other information**